



WWW.BARRYIND.COM

RZ1206CB-XXXXJN-98

BeO

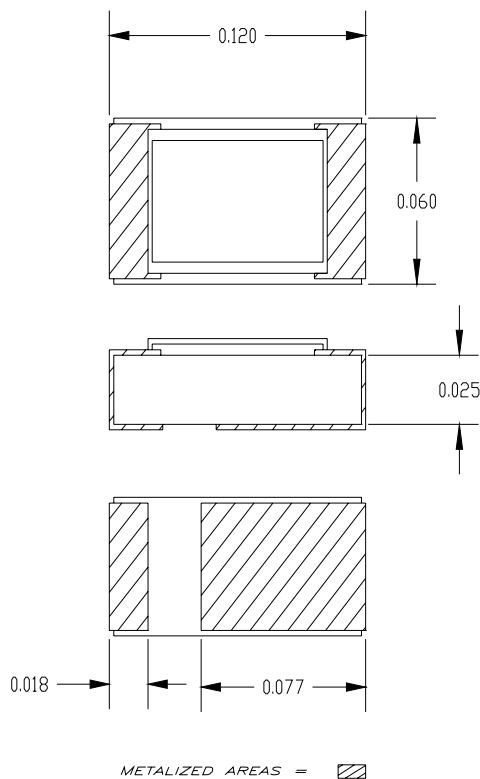
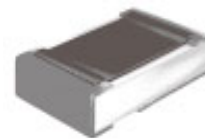
SURFACE MOUNT RESISTOR

Features:

- ◆ Surface Mount
- ◆ Pre-Tinned
- ◆ 12 Watt Power Handling

General Description:

The RZ1206CB-XXXX*JN-98 is a 50 Ohm standard (.5 - 1Mohm available) surface mountable high power chip resistor ideal for small assemblies. It offers a power dissipation of 12 Watts.

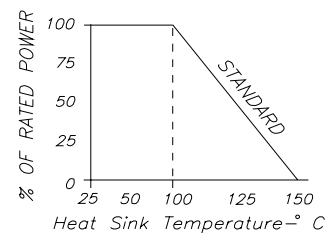


* XXXX = Resistance Value in Ohms

- Ohms
- 0.5....R500
 - 1.....1R00
 - 10....10R0
 - 50....50R0
 - 100...1000
 - 150...1500
 - 1K....1001
 - 10K...1002
 - 100K.1003
 - 470K.4703
 - 1M....1004

Sample part number:
RZ1206CB-50R0JN-98

DERATING CURVE:



Parameter	Min.	Typ.	Max.	Units
Power Dissipation			12	WATTS
Heat Sink Temperature			100	°C

* Barry Industries reserves the right to change part number and or process without notification

Barry Industries, Inc., 60 Walton St., Attleboro, MA 02703 T: 508-226-3350 F: 508-226-3317 E-mail: ABSales@Vishay.com
Barry Industries maintains an ISO 9001 Certified Quality Management System

Origination Date	Revision Date	Rev.
09/11/06	09/14/06	A